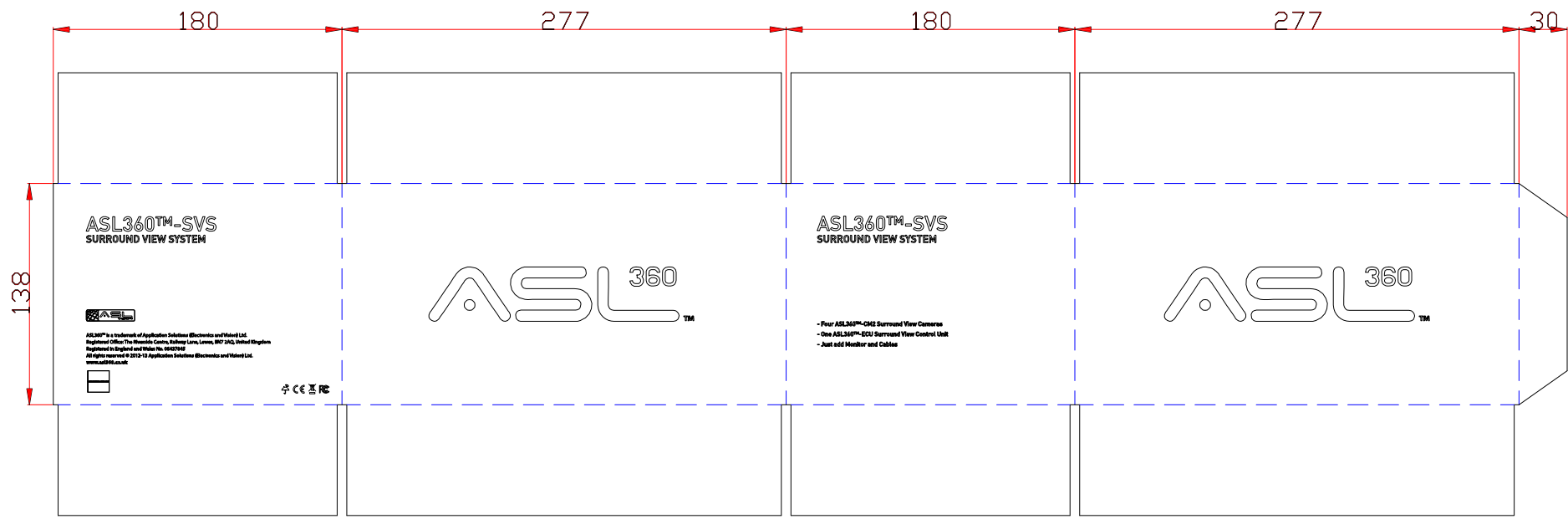
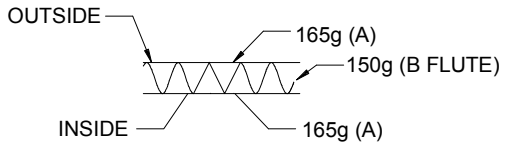
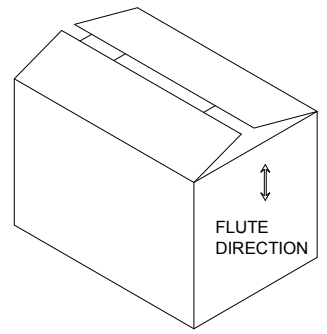


Revision Notes.				
R1 -				
APA: -	Drawn: -	Checked: -	Approved: -	Date: -



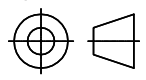
ONE CARTON-A CONTAIN 5PCS UNIT.
 1PC ECU, 4PCS CAMERA
 CARTON BOX INNER SIZE (CONTAIN 3 PCS CARTON PAD): 277x180x138mm



- NOTES:
1. SUPPLIER DRAWING IS THE MASTER CONTROL.
 2. GIFTBOX IS BLACK BOX WITH WHITE TEXT.
 3. DATA TAKEN FROM SUPPLIER DRAWING.

PROPRIETARY NOTICE
 THIS DESIGN AND TECHNICAL INFORMATION APPEARING ON THIS DRAWING IS THE PROPERTY OF BRIGADE ELECTRONICS, AND IS DISCLOSED IN CONFIDENCE. IT IS NOT TO BE COPIED, REPRODUCED, REVEALED TO OR EXPROPRIATED BY OTHERS, EITHER IN WHOLE OR IN PART WITHOUT THE EXPRESS WRITTEN CONSENT OF BRIGADE ELECTRONICS.

BRIGADE®
 www.brigade-electronics.com

Assembly Pl Approval NOT REQUESTED	Approved by S.MATTHEWS	Checked by G.PLITH	Drawn by R.BATES
Angle of Projection 	Units mm	Scale N/A	Released 14/03/13
Status RELEASED	ASL 277x180x138-CGB		
Part No 4390	BE-002342-00-13		